

**DESCRIPTION:**

AMC MODEL NUMBER SWN-2181-2A REFLECTIVE SINGLE POLE DOUBLE THROW PIN DIODE SWITCH. DESIGNED FOR 0.3 TO 18 GHz FREQUENCY RANGE.

REVISIONS				
ZONE	REV.	DESCRIPTION	DATE	APPROVED
-	-	ORIGINAL RELEASE, JOB# 707137	5/14/08	<i>[Signature]</i>

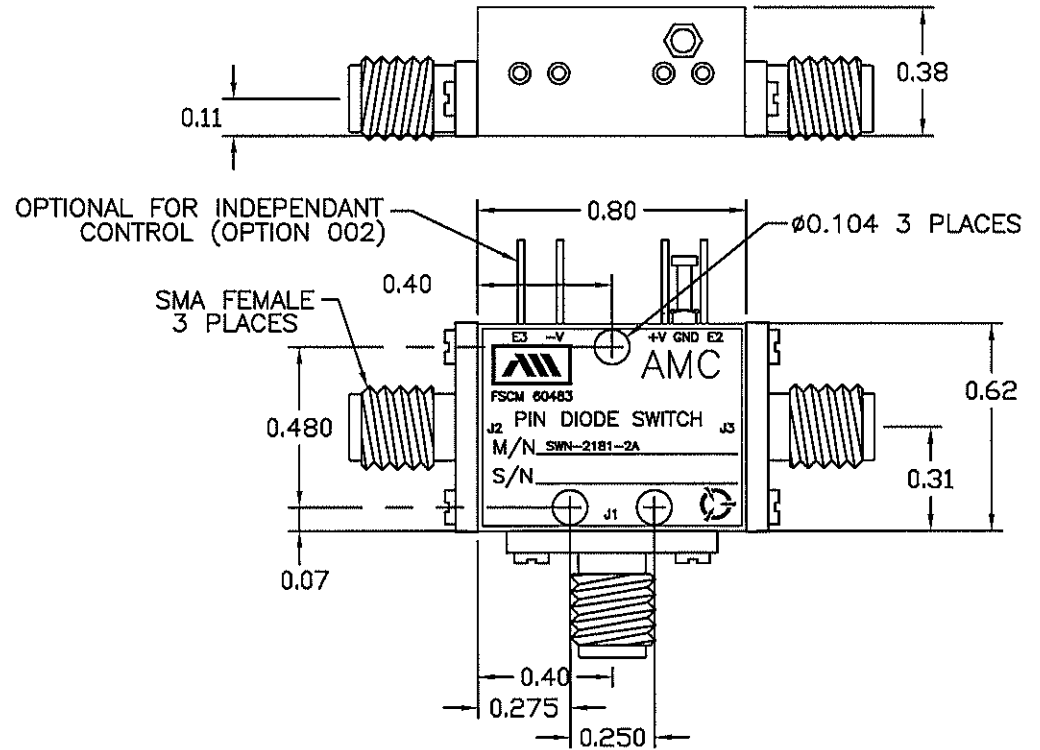
**SPECIFICATIONS:**

- FREQUENCY: . . . . . 0.3 TO 18 GHz
- INSERTION LOSS: . . . . . 3.0 dB
- ISOLATION: . . . . . 55 dB
- VSWR: . . . . . 2.0:1 MAXIMUM
- SPEED: . . . . . RISE: 50 nS MAXIMUM  
FALL: 50 nS MAXIMUM
- POWER HANDLING: . . . . . +23dBm, CW, MAXIMUM
- CONTROL: . . . . . TTL LOGIC "0"=ON, J1-J2 "1"=OFF, J1-J3
- POWER SUPPLY: . . . . . +5V @ 65 mA MAXIMUM  
-5V @ 50 mA MAXIMUM

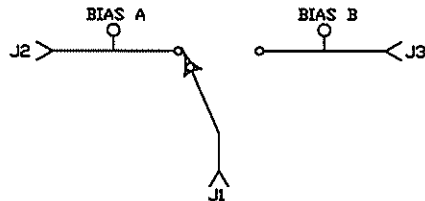
**OPTIONS:**

- 001 . . . . . 35dB MINIMUM ISOLATION
- 002 . . . . . INDEPENDANT CONTROLS
- 003 . . . . . SMA MALE CONNECTORS
- 005 . . . . . REVERSE LOGIC
- 006 . . . . . -15 VOLT SUPPLY
- 007 . . . . . 10nS MAXIMUM RISE/FALL TIME
- 008 . . . . . EXTENDED FREQUENCY TO 100MHz
- 009 . . . . . 30nS MAXIMUM DELAY
- 010 . . . . . OFF ARM TERMINATION  
INSERTION LOSS OF 3.5dB MAXIMUM
- 103 . . . . . INTEGRAL VIDEO FILTERS (2-18GHz)  
INSERTION LOSS INCREASE OF 0.75dB MAXIMUM

**MECHANICAL OUTLINE**



**BLOCK DIAGRAM**



**ENVIRONMENTAL RATINGS:**

- TEMPERATURE: . . . . . -65 TO +85°C (OPERATING)  
-65°C TO +125°C (STORAGE)
- HUMIDITY: . . . . . MIL-STD-202F, METHOD 103B COND. B
- SHOCK: . . . . . MIL-STD-202F, METHOD 213B COND. B
- VIBRATION: . . . . . MIL-STD-202F, METHOD 204D COND. B
- ALTITUDE: . . . . . MIL-STD-202F, METHOD 105C COND. B
- TEMPERATURE CYCLE: . . . . . MIL-STD-202F, METHOD 107D COND. A

NOTE: THE ABOVE SPECIFICATIONS ARE SUBJECT TO CHANGE OR REVISION

ALL DIMENSIONS ARE IN INCHES  
TOLERANCES:  
X.XX ±0.010  
X.XXX ±0.005

**CONFIDENTIAL AND PROPRIETARY**

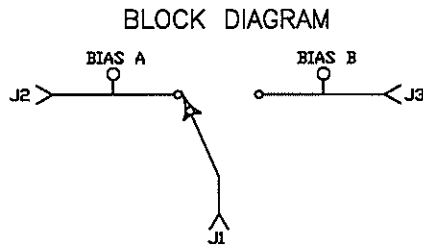
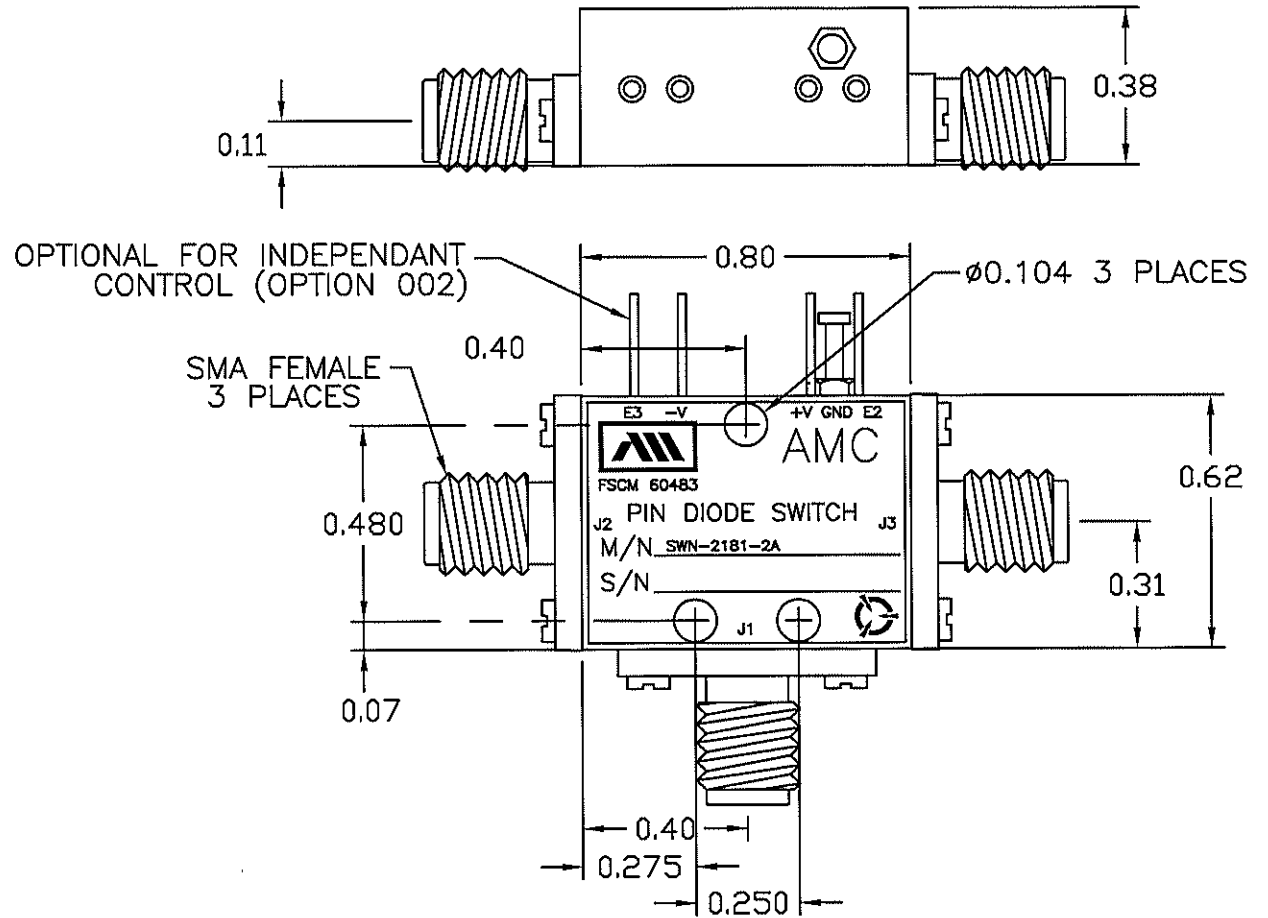
PART NO.		AMERICAN MICROWAVE CORPORATION FREDERICK, MARYLAND		
APPROVALS	DATE	TITLE		
DRAWN <i>KMS</i>	5/14/08	PRODUCT FEATURE SWN-2181-2A		
CHECKED <i>ZQ</i>	5/14/08	SIZE	FSCM NO.	DWG NO.
ISSUED		A	60483	100-7785
		SCALE N:S	SHEET 1 of 3	

**DESCRIPTION:**

AMC MODEL NUMBER SWN-2181-2A REFLECTIVE SINGLE POLE DOUBLE THROW PIN DIODE SWITCH. DESIGNED FOR 0.3 TO 18 GHz FREQUENCY RANGE.

REVISIONS				
ZONE	REV.	DESCRIPTION	DATE	APPROVED
-		ORIGINAL RELEASE, JOB# 707137	5/14/08	<i>[Signature]</i>

**MECHANICAL OUTLINE**



**CONFIDENTIAL AND PROPRIETARY**

ALL DIMENSIONS ARE IN INCHES  
 TOLERANCES:  
 .XXX ±0.010  
 .XXX ±0.005

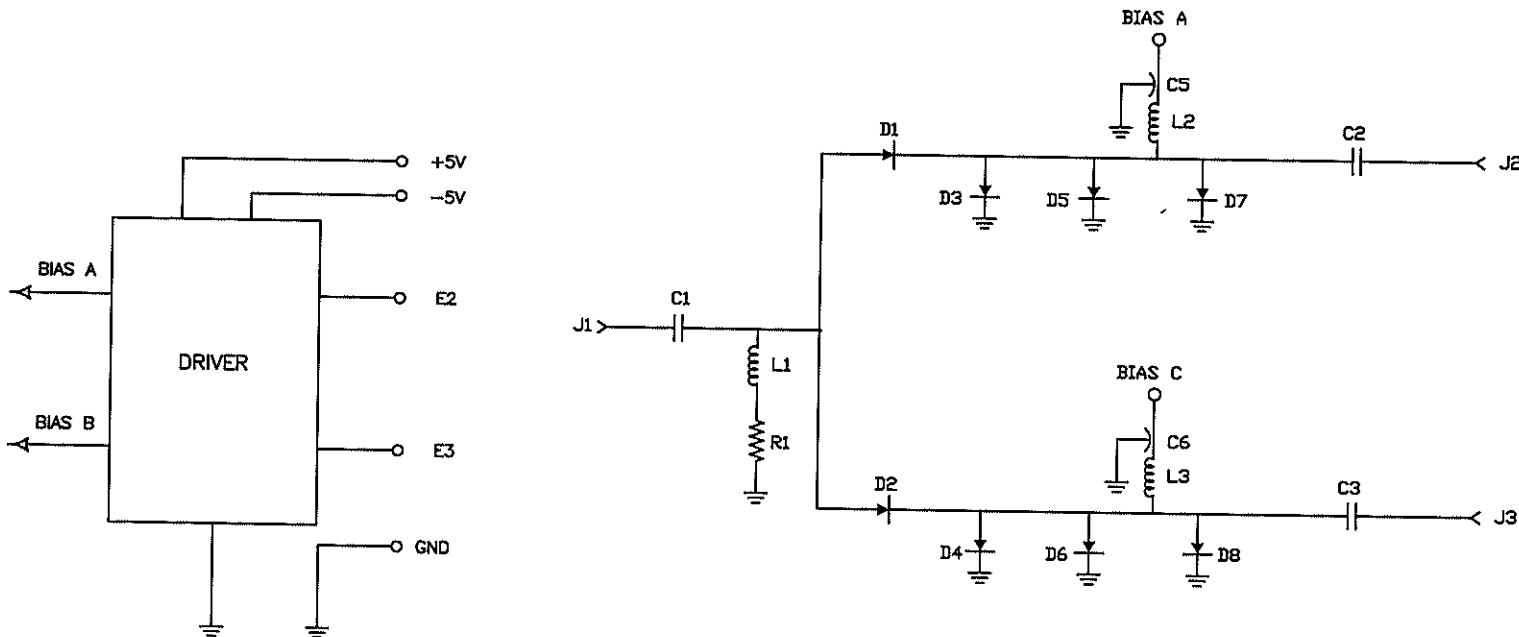
PART NO.		AMERICAN MICROWAVE CORPORATION FREDERICK, MARYLAND	
APPROVALS	DATE	TITLE	
DRAWN <i>KMP</i>	5/14/08	PRODUCT FEATURE SWN-2181-2A	
CHECKED <i>[Signature]</i>	5/14/08	SIZE	REV.
ISSUED		A 60483	-
		DWG NO.	
		100-7785	
		SCALE N:S	SHEET 2 of 3

**DESCRIPTION:**

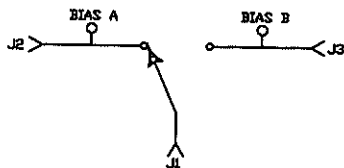
AMC MODEL NUMBER SWN-2181-2A REFLECTIVE SINGLE POLE DOUBLE THROW PIN DIODE SWITCH, DESIGNED FOR 0.3 TO 18 GHz FREQUENCY RANGE.

REVISIONS				
ZONE	REV.	DESCRIPTION	DATE	APPROVED
-		ORIGINAL RELEASE, JOB# 707137 CUSTOMER: WINDHOVER, PA	5/14/08	<i>[Signature]</i>

**FUNCTIONAL SCHEMATIC**



**BLOCK DIAGRAM**



**CONFIDENTIAL AND PROPRIETARY**

PART NO.		<b>AMERICAN MICROWAVE CORPORATION</b> FREDERICK, MARYLAND			
APPROVALS	DATE	TITLE			
<i>[Signature]</i>	5/14/08	FUNCTIONAL SCHEMATIC			
CHECKED	DATE	SWN-2181-2A			
<i>[Signature]</i>	5/14/08				
ISSUED		SIZE	FSCM NO.	DWG NO.	REV.
		A	60483	100-7785	-
SCALE N:S				SHEET 3 of 3	